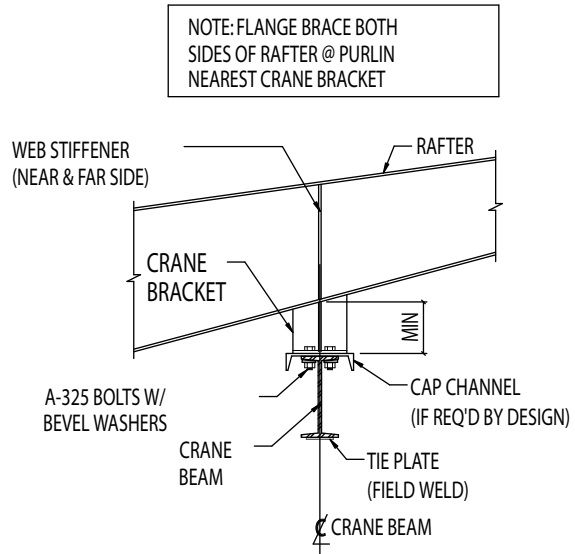
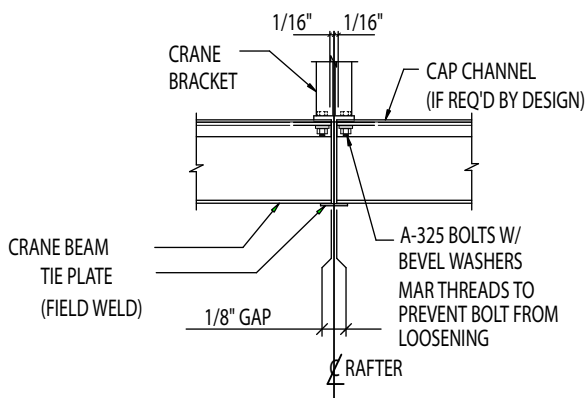


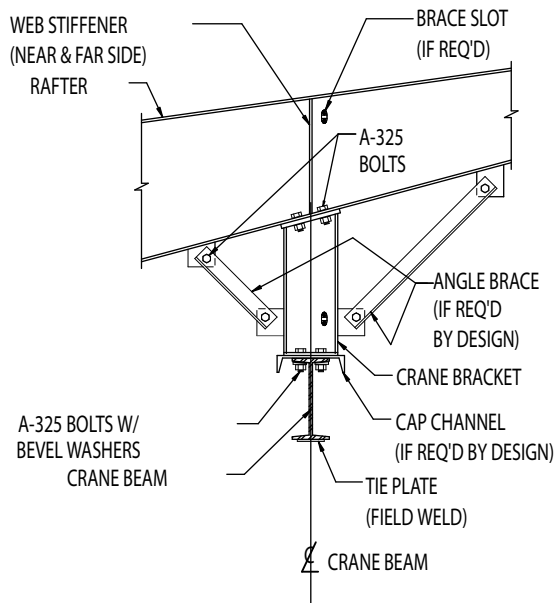
CRANE BEAM AND BRACKET FRAMING



DETAIL "A"
(MIN. LENGTH BRACKET)



VIEW "B"



DETAIL "A"
(MAX. LENGTH BRACKET)

UNDERHUNG CRANE BRACKET DETAILS

DATE	NOTE: These drawings are intended to depict general installation of item(s) described above. Some item(s) may have been omitted for clarity of presentation. Consult your erection manual or additional S-Sheets for further guidelines and/or clarifications.	DRAWING NO.
2-26-04		AS47